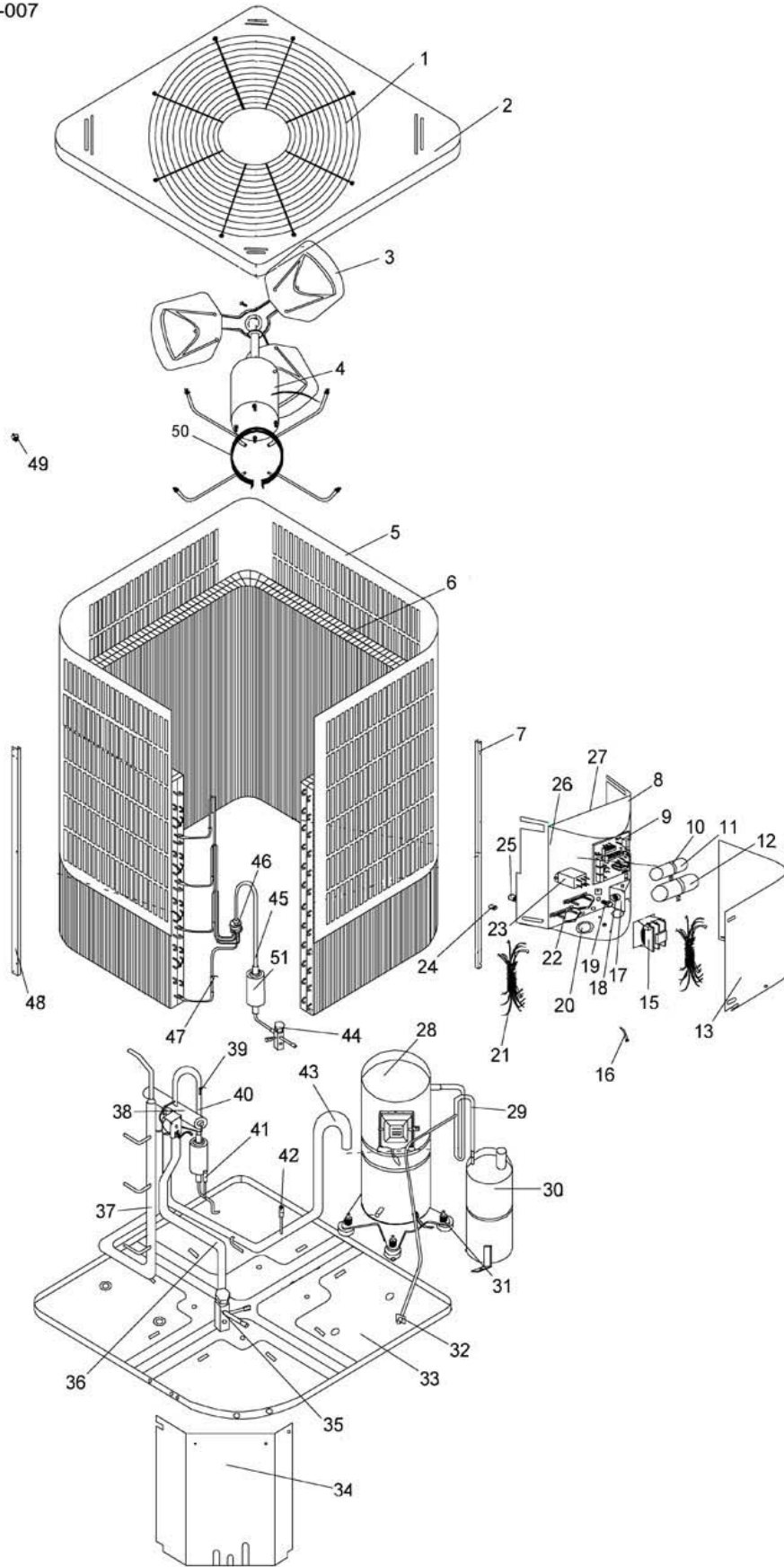


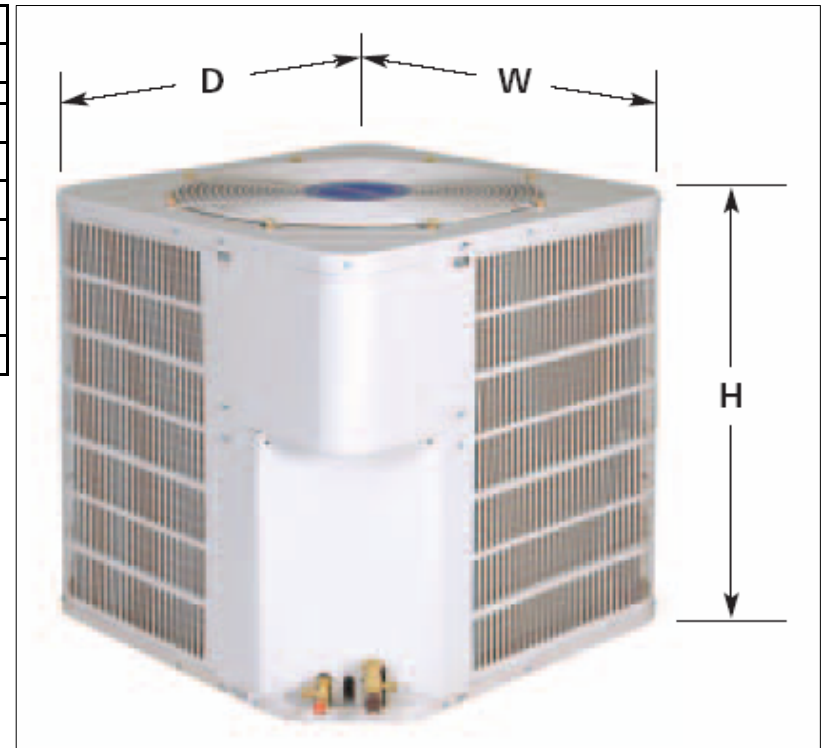
AC-07-007



ECR International H13xx1VAR 13 Seer Heat Pump - 2006-2007								
Key No.	Description	H13181VAR	H13241VAR	H13301VAR	H13361VAR	H13421VAR	H13481VAR	H13601VAR
		1½ Ton	2 Ton	2½ Ton	3 Ton	3½ Ton	4 Ton	5 Ton
1	Grille, Top	AC-3150-73	AC-3150-74	AC-3150-74	AC-3150-74	AC-3150-74	AC-3150-74	AC-3150-74
2	Cover, Top	AC-1950-226	AC-1950-227	AC-1950-227	AC-1950-227	AC-1950-227	AC-1950-227	AC-1950-227
3	Fan Blade	AC-2750-88	AC-2750-89	AC-2750-90	AC-2750-89	AC-2750-90	AC-2750-91	AC-2750-90
4	Condenser Fan Motor	AC-4550-69	AC-4550-187	AC-4550-189	AC-4550-97	AC-4550-188	AC-4550-188	AC-4550-141
5	Cabinet Casing	AC-1480-16	AC-1480-17	AC-1480-18	AC-1480-18	AC-1480-18	AC-1480-19	AC-1480-19
6	Condenser Coil Assembly	AC-1800-76	AC-1800-95	AC-1800-96	AC-1800-96	AC-1800-86	AC-1800-85	AC-1800-97
7	Bracket, Heat Exchanger, Right-Hand	AC-0850-48	AC-5300-207	AC-0850-46	AC-0850-46	AC-0850-46	AC-0850-47	AC-0850-47
8	Control Box	AC-0800-53	AC-0800-53	AC-0800-53	AC-0800-53	AC-0800-53	AC-0800-53	AC-0800-53
9	P.C.B., Outdoor, (Printed Circuit Board)	AC-5210-58	AC-5210-58	AC-5210-58	AC-5210-58	AC-5210-58	AC-5210-58	AC-5210-58
10	Capacitor Clip, (Mounting Strap)	AC-1650-43	AC-1650-43	AC-1650-43	AC-1650-43	AC-1650-43	AC-1650-43	AC-1650-43
11	Capacitor, Condenser Fan Motor	AC-1400-28	AC-1400-28	AC-1400-28	AC-1400-28	AC-1400-28	AC-1400-28	AC-1400-79
12	Capacitor, Compressor	AC-1400-42	AC-1400-42	AC-1400-42	AC-1400-18	AC-1400-23	AC-1400-23	AC-1400-70
13	Control Box Cover	AC-1950-77	AC-1950-77	AC-1950-77	AC-1950-77	AC-1950-77	AC-1950-77	AC-1950-77
14	Wire Harness							
15	Contacto	AC-1858-01	AC-1858-01	AC-1858-01	AC-1858-01	AC-1858-02	AC-1858-02	AC-1858-02
16	Wire Clip	AC-1650-46	AC-1650-46	AC-1650-46	AC-1650-46	AC-1650-46	AC-1650-46	AC-1650-46
17	Bracket	AC-0850-76	AC-0850-76	AC-0850-76	AC-0850-76	AC-0850-76	AC-0850-76	AC-0850-76
18	Plug	AC-5310-07	AC-5310-07	AC-5310-07	AC-5310-07	AC-5310-07	AC-5310-07	AC-5310-07
19	Screw	AC-6150-52	AC-6150-52	AC-6150-52	AC-6150-52	AC-6150-52	AC-6150-52	AC-6150-52
20	Grommet	AC-3200-10	AC-3200-10	AC-3200-10	AC-3200-10	AC-3200-10	AC-3200-10	AC-3200-10
21	Wire Harness, (Cable)	AC-1302-24	AC-1302-24	AC-1302-24	AC-1302-20	AC-1302-19	AC-1302-21	AC-1302-21
22	Wire Clip	AC-1650-36	AC-1650-36	AC-1650-36	AC-1650-36	AC-1650-36	AC-1650-36	AC-1650-36
23	Relay, Fan Motor	AC-5600-02	AC-5600-02	AC-5600-02	AC-5600-02	AC-5600-02	AC-5600-02	AC-5600-02
24	Grommet, # 3	AC-3200-08	AC-3200-08	AC-3200-08	AC-3200-08	AC-3200-08	AC-3200-08	AC-3200-08
25	Grommet, # 5	AC-3200-09	AC-3200-09	AC-3200-09	AC-3200-09	AC-3200-09	AC-3200-09	AC-3200-09
26	Cushion, # 2	AC-2015-186	AC-2015-186	AC-2015-186	AC-2015-186	AC-2015-186	AC-2015-186	AC-2015-186
27	Cushion, # 1	AC-2015-187	AC-2015-187	AC-2015-187	AC-2015-187	AC-2015-187	AC-2015-187	AC-2015-187
28	Compressor, H20J153ABCA	AC-1750-156	---	---	---	---	---	---
28	Compressor, H20J213ABCA	---	AC-1750-157	---	---	---	---	---
28	Compressor, H20J223ABCA	---	---	AC-1750-107	---	---	---	---
28	Compressor, H20J293ABCA	---	---	---	AC-1750-109	---	---	---
28	Compressor, H20J383ABCA	---	---	---	---	AC-1750-158	---	---
28	Compressor, 4-Ton	---	---	---	---	---	AC-1750-101	---
28	Compressor, H23R543ABCA	---	---	---	---	---	---	AC-1750-155
29	Tubing Assembly, (Accumulator to Compressor)	AC-5255-265	AC-5255-305	AC-5255-305	AC-5255-305	AC-5255-306	AC-5255-306	AC-5255-278

ECR International H13xx1VAR 13 Seer Heat Pump - 2006-2007

Model No.	Dimensions			Weight
	W (inches)	D (inches)	H (inches)	Lb.
H13181VAR	23-3/8	23-3/8	32-3/16	167
H13241VAR	30-5/8	30-5/8	28-1/4	203
H13301VAR	30-5/8	30-5/8	32-3/16	207
H13361VAR	30-5/8	30-5/8	32-3/16	220
H13421VAR	30-5/8	30-5/8	32-3/16	258
H13481VAR	30-5/8	30-5/8	36-1/8	271
H13601VAR	30-5/8	30-5/8	44	315



ECR International H13xx1VAR 13 Seer Heat Pump - 2006-2007

Model Number		H13181VAR	H13241VAR	H13301VAR	H13361VAR	H13421VAR	H13481VAR	H13601VAR	
Rated Cooling Capacity	BTU/Hr.	17,500	24,000	28,000	35,000	42,000	46,000	55,000	
Rated Heating Capacity	BTU/Hr.	16,500	22,500	25,500	32,000	41,000	44,000	55,000	
Power Supply	V/Ph/Hz	230 / 208 / 1 / 60							
Voltage Range	V	197 - 253							
Operating Current	A	7.5	9.8	11.2	13.6	17.0	19.2	21.6	
Min. Wire Ampacity	A	8.6	11.6	12.8	16.1	20.6	21.7	33.7	
Max. Fuse or HACR type Circuit Breaker	A	15	20	20	25	35	35	55	
Compressor	Type	Reciprocating	Reciprocating	Reciprocating	Reciprocating	Reciprocating	Reciprocating	Scroll	
	FLA	A	6.2	8.6	9.2	11.7	14.9	15.8	25.0
	LRA	A	41	60	60	73	90	90	150
Fan Motor	Type	PSC	PSC	PSC	PSC	PSC	PSC	PSC	
	FLA	A	0.86	1.10	1.30	1.43	2.00	2.00	2.50
	HP		1/6	1/6	1/4	1/3	1/3	1/3	1/2
	Nominal RPM		840	840	850	1070	960	880	1000
Fan Blades	No. of Blades	3	3	3	3	3	3	3	
	Diameter	23"	23"	24"	23"	24"	24"	24"	
	Nominal CFM	1800	1800	2700	3200	3600	4000	4300	
Outdoor Coil	Type	Enhanced Aluminum Fins and Grooved Copper Tubes							
	Area	ft ²	16.00	16.00	18.40	18.40	18.40	20.85	25.75
	Rows / FPI		1 / 21	1 / 21	1 / 21	1 / 21	2 / 17	2 / 17	2 / 17
	Tube Dia.	in.	3/8	3/8	3/8	3/8	3/8	3/8	3/8
Refrigerant Line Sizes	Liquid	in. O.D.	3/8	3/8	3/8	3/8	3/8	3/8	3/8
	Vapor	in. O.D.	3/4	3/4	3/4	7/8	7/8	7/8	7/8
Refrigerant Charge	Oz.	125.44	116.61	136.04	130.74	185.51	196.11	314.49	