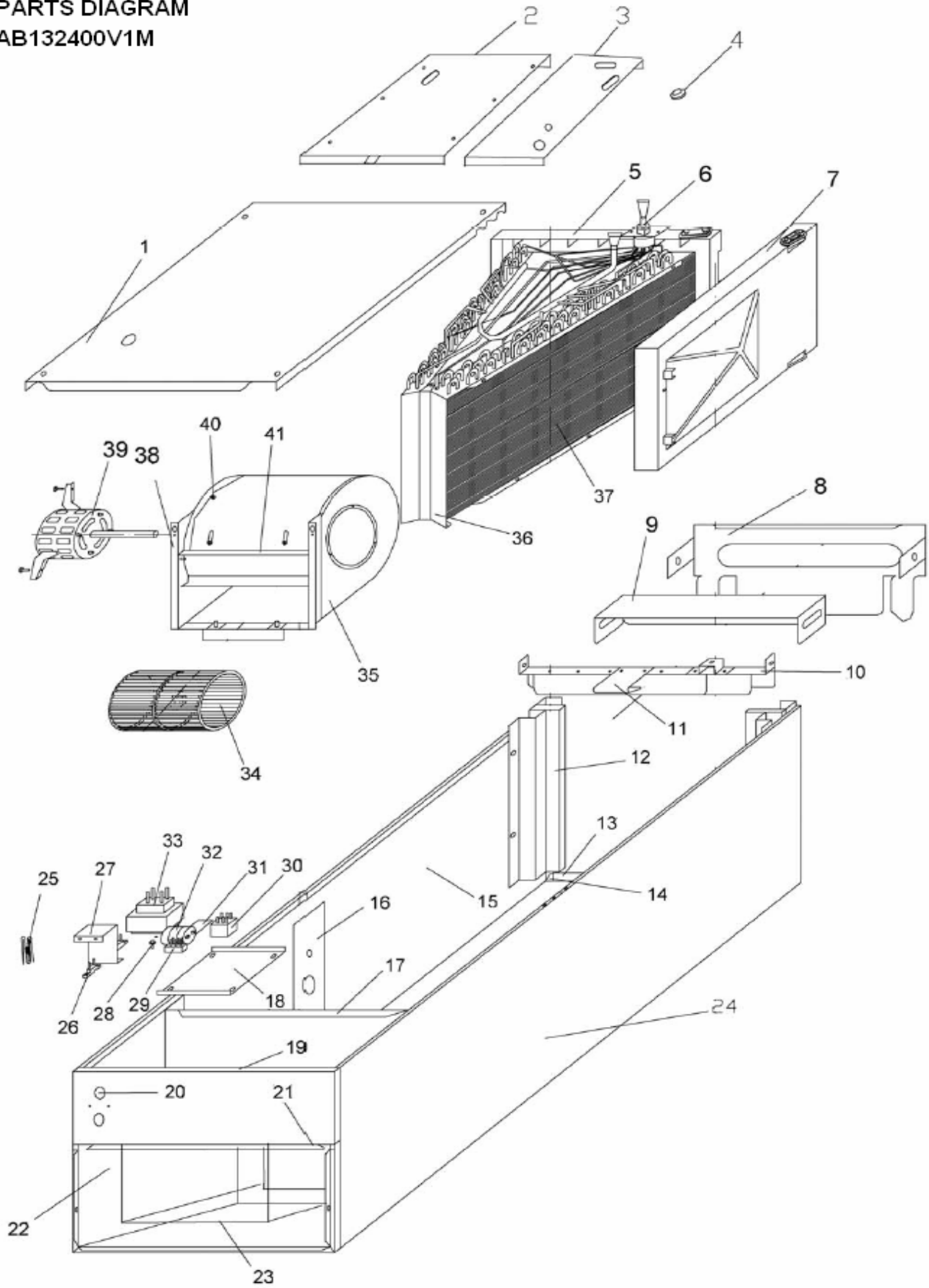


Model AB Series Air Handler

PARTS DIAGRAM
AB132400V1M

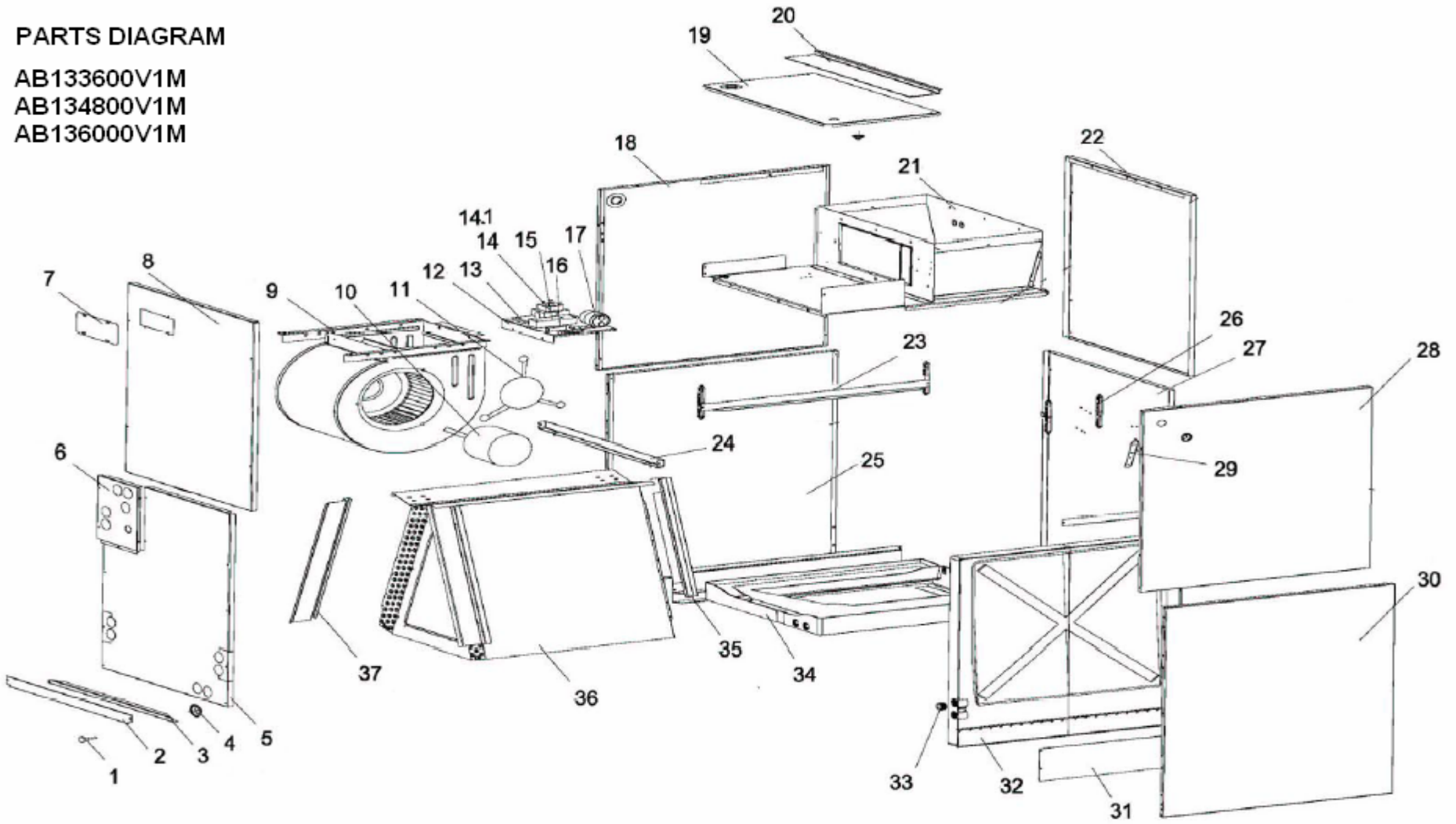


Model AB Series Air Handler		
Key No.	Description	AB132400V1M
	<i>see Diagram 2</i>	
1	Panel - Front (1)	AC-5200-226
2	Panel - Front (2)	AC-5200-229
3	Panel - Front (3)	AC-5200-232
4	Plug	AC-5310-06
5	Pan, Drain (Lower)	AC-5150-56
6	Elbow, Drainage	AC-2480-08
7	Pan, Drain (Side)	AC--5150-58
8	Plate	AC-5300-166
9	Brace	AC-0840-26
10	Plate	AC-5300-164
11	Brace, Drain Pan	AC-0840-23
12	Bracket	AC-0850-71
13	Bracket, Evaporator	AC-0850-68
15	Gasket	AC-3100-84
16	Plate, Cushion	AC-5300-157
17	Plate, Scroll Case	AC-5300-175
18	Plate, Hole Cover	AC-5300-161
19	Panel, Upper Cover	AC-5200-236
20	Plug	AC-5310-07
22	Box, Electrical Control	AC-0800-94
23	Box, Electric Heating, (Optional)	AC-0800-99
24	Panel, Evaporator Guard	AC-5200-225
25	Wire, Indoor	AC-8070-08
26	Clip, Wire	AC-1650-36
27	Partition	AC-5211-04
28	Screw	AC-6150-52
29	Block, Terminal	AC-0595-54
30	P.C.B. Universal Fan Delay	AC-5210-80
31	Clip, Capacitor	AC-1650-43
32	Capacitor, Fan Motor	AC-1400-28
33	Transformer, 24v, 40VA	AC-7550-21
34	Fan	AC-2750-70
35	Case, Scroll	AC-1470-38
36	Plate, Evaporator	AC-5300-174
37	Evaporator, Assembly	AC-2650-84
38	Track, Scroll Case	AC-7460-13
39	Motor	AC-4550-136
40	Case	AC-1470-41
41	Fan, Axial	AC-2750-59

Model AB Series Air Handler

PARTS DIAGRAM

AB133600V1M
AB134800V1M
AB136000V1M



Model AB Series Air Handler				
Key No.	Description	AB133600V1M	AB134800V1M	AB136000V1M
	<i>see Diagram 1</i>			
1	Bolt, Fixing	AC-0750-25	AC-0750-25	AC-0750-25
2	Cover, Filter Front	AC-1950-232	AC-1950-232	AC-1950-232
3	Plate, Bottom Connection	AC-5300-212	AC-5300-212	AC-5300212
4	Plug, Drainage	AC-5310-14	AC-5310-14	AC-5310-14
5	Panel, Front 2	AC-5200-329	AC-5200-319	AC-5200-319
6	Panel, Front 3	AC-5200-318	AC-5200-318	AC-5200-318
7	Plate, Breaker Cover	AC-5300-215	AC-5300-215	AC-5300-215
8	Panel, Front 1	AC-5200-330	AC-5200-320	AC-5200-320
9	Fan	AC-2750-70	AC-2750-71	AC-2750-72
9.1	Case, Scroll	AC-1470-38	---	---
10	Motor, Fan	AC-4550-196	AC-4550-192	AC-4550-208
11	Bracket, Motor Supporting	AC-0850-101	AC-0850-101	AC-0850-101
12	Box, Electric Control	AC-0800-105	AC-0800-105	AC-0800-105
13	Clip, Wire	AC-1650-36	AC-1650-36	AC-1650-36
14	Transformer, 24v, 40VA	AC-7550-21	AC-7550-21	AC-7550-21
14.1	Transformer	AC-7550-23	AC-7550-23	AC-7550-23
15	P.C.B. Universal Fan Delay	AC-5210-80	AC-5210-80	AC-5210-80
16	Block, Terminal	AC-0595-54	AC-0595-54	AC-0595-54
17	Capacitor, Fan Motor	AC-1400-28	AC-1400-28	AC-1400-79
18	Plate, Upper Left	AC-5300-232	AC-5300-216	AC-5300-216
19	Plate, Upper Cover	AC-5300-218	AC-5300-218	AC-5300-218
20	Plate, Protection	AC-5300-219	AC-5300-219	AC-5300-219
21	Outlet, Air Assembly	AC-4745-155	AC-4745-154	AC-4745-154
22	Plate, Upper Back	AC-5300-233	AC-5300-217	AC-5300-217
23	Plate, Pressing	AC-5300-213	AC-5300-213	AC-5300-213
24	Plate, Middle	AC-5300-214	AC-5300-214	AC-5300-214
25	Plate, Bottom, (Left & Right)	AC-5300-230	AC-5300-210	AC-5300-210
26	Bracket, Support	AC-0850-102	AC-0850-102	AC-0850-102
27	Plate, Lower Back	AC-5300-231	AC-5300-211	AC-5300-263
28	Plate, Upper	AC-5300-234	AC-5300-221	AC-5300-221
29	Brace	AC-0840-24	AC-0840-24	AC-0840-24
30	Plate, Fixing	AC-5300-220	AC-5300-220	AC-5300-220
31	Pan, Side	AC-5150-79	AC-5150-79	AC-5150-79
32	Plug, Drainage	AC-5310-15	AC-5310-15	AC-5310-15
33	Pan, Bottom	AC-5150-78	AC-5150-78	AC-5150-78
34	Plate, Evaporator (Back Guarding of Evaporator)	AC-5300-209	AC-5300-209	AC-5300-262
35	Evaporator, Assembly	AC-2650-87	AC-2650-85	AC-2650-94
36	Plate, Front Guarding of Evaporator	AC-5300-208	AC-5300-208	AC-5300-208
37	Plug, Wiring Rubber	AC-5310-13	AC-5310-13	AC-5310-13

Model AB Series Air Handler

Model No.	Dimensions - inches			Weight
	Width	Depth	Height	Lb.
AB132400V1M	19½	22	46¾	141
AB133600V1M	21½	24	49½	181
AB134800V1M	21½	24	56	196
AB136000V1M	21½	24	56	205



Model AB Series Air Handler

Air Conditioning

Outdoor	Indoor	Indoor Fan Speed	ARI Data of Indoor			Cooling Capacity with Different Outdoor Temperatures							
			Capacity	SEER	CFM	80	85	90	95	100	105	110	115
C13181VAR	AB132400V1M	M	18000	13	670	20340	19746	19080	18000	17730	17460	17190	16920
C13241VAR	AB132400V1M	H	24000	13	900	27120	26328	25440	24000	23640	23280	22920	22560
C13301VAR	AB133600V1M	L	28000	13	1125	31640	30716	29680	28000	27580	27160	26740	26320
C13361VAR	AB133600V1M	H	35000	13	1240	39550	38395	37100	35000	34475	33950	33425	32900
C13421VAR	AB134800V1M	L	40000	13	1480	45200	43880	42400	40000	39400	38800	38200	37600
C13481VAR	AB134800V1M	H	47000	13	1650	53110	51559	49820	47000	46295	45590	44885	44180
C13601VAR	AB136000V1M	H	56000	13	1800	63280	61432	59360	56000	55160	54320	53480	52640

**Heat Pump
Cooling**

Outdoor	Indoor	Indoor Fan Speed	ARI Data of Indoor			Cooling Capacity with Different Outdoor Temperatures							
			Capacity	SEER	CFM	80	85	90	95	100	105	110	115
H13181VAR	AB132400V1M	M	17500	13	670	19775	19197	18550	17500	17237	16975	16712	16450
H13241VAR	AB132400V1M	H	24000	13	900	27120	26328	25440	24000	23640	23280	22920	22560
H13301VAR	AB133600V1M	L	28000	13	1125	31640	30716	29680	28000	27580	27160	26740	26320
H13361VAR	AB133600V1M	H	35000	13	1240	39550	38395	37100	35000	34475	33950	33425	32900
H13421VAR	AB134800V1M	L	42000	13	1480	47460	46074	44520	42000	41370	40740	40110	39480
H13481VAR	AB134800V1M	H	46000	13	1650	51980	50462	48760	46000	45310	44620	43930	43240
H13601VAR	AB136000V1M	H	55000	13	1850	62150	60335	58300	55000	54175	53350	52525	51700

Heating

Outdoor	Indoor	Indoor Fan Speed	ARI Data of Indoor			Heating Capacity with Different Outdoor Temperatures.							
			Capacity	HSPF	CFM	-10	0	10	20	30	40	50	60
H13181VAR	AB132400V1M	M	16500	7.8	670	5250	7060	8840	10650	12400	14590	17190	19800
H13241VAR	AB132400V1M	H	22500	7.8	900	7159	9627	12055	14523	16909	19895	23441	27000
H13301VAR	AB133600V1M	L	25500	7.8	1125	8114	10911	13662	16459	19164	22548	26566	30600
H13361VAR	AB133600V1M	H	32000	7.8	1240	10182	13692	17144	20655	24048	28296	33338	38400
H13421VAR	AB134800V1M	L	41000	7.8	1480	13045	17543	21966	26464	30812	36254	42715	49200
H13481VAR	AB134800V1M	H	44000	7.8	1650	14000	18827	23573	28400	33067	38907	45840	52800
H13601VAR	AB136000V1M	H	55000	7.8	1850	17500	23533	29467	35500	41333	48633	57300	66000