

GAS-FIRED DIRECT VENT CONDENSING
HOT WATER BOILER (125-200 MBH)

REPAIR PARTS MANUAL



TABLE OF CONTENTS

I. Circulator Pumps (Optional)	2
II. Burner Assembly	3
III. Boiler Block and Piping Assembly	4
IV. Jacket and Base Assembly	6
V. Exhaust Tee and Condensate Trap Assembly	8
VI. Mixer and Air Pressure Switch Assembly	9
VII. Flue Adapter and Exhauster Assembly	10

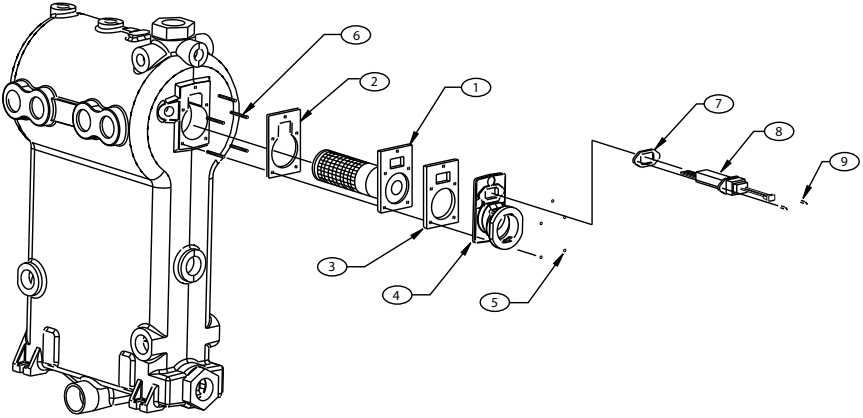
I. CIRCULATOR PUMPS (OPTIONAL)

PART NO.	DESCRIPTION	QTY.
CI-001.01	Circulator Pump w/Flange, B&G	1 ^(a)
CI-001.03	Circulator Pump w/Flange, Taco	
CI-006.01	Circulator Pump w/Flange, Grundfos	
14626043	Ball Valve, 1¼" Set (Male & Female)	1 ^(b)

^(a) Please specify pump when ordering. Consult factory for details.

^(b) Not available on all models. Consult factory for details.

II. BURNER ASSEMBLY



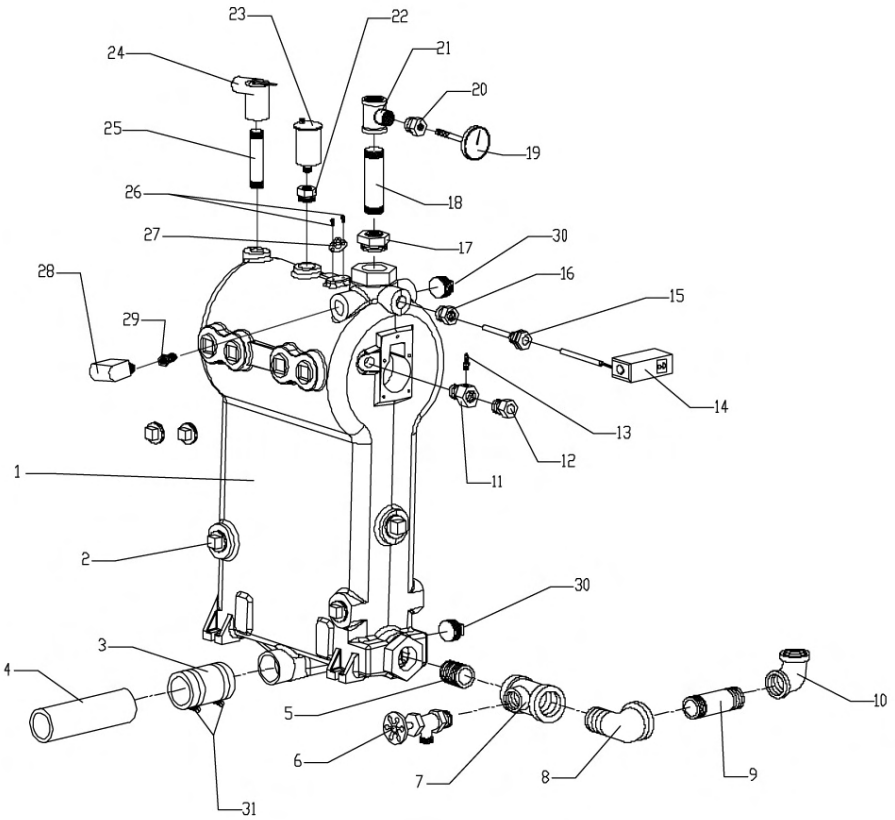
ITEM	PART NO.	DESCRIPTION	QTY.
1	2272149	Burner Replacement Kit	1
2	1250009	Burner/Casting Gasket	1
3	1250008	Burner/Flue Adapter Gasket	1
4	12101022	Flue Adapter	1
5	14695810	Hex Nut w/Serrated Washer ¼"-20	5
6	1450011	Threaded Stud ¼"-20 x 1½"	5

Hot Surface Igniter Replacement Kit (P/N#2272133)

(includes Items 7-9 (below))

7	1250010	Igniter/Mixer Gasket	1
8	1264005	Hot Surface Igniter	1
9	14695809	Screw 10-32 x ⅜"	2

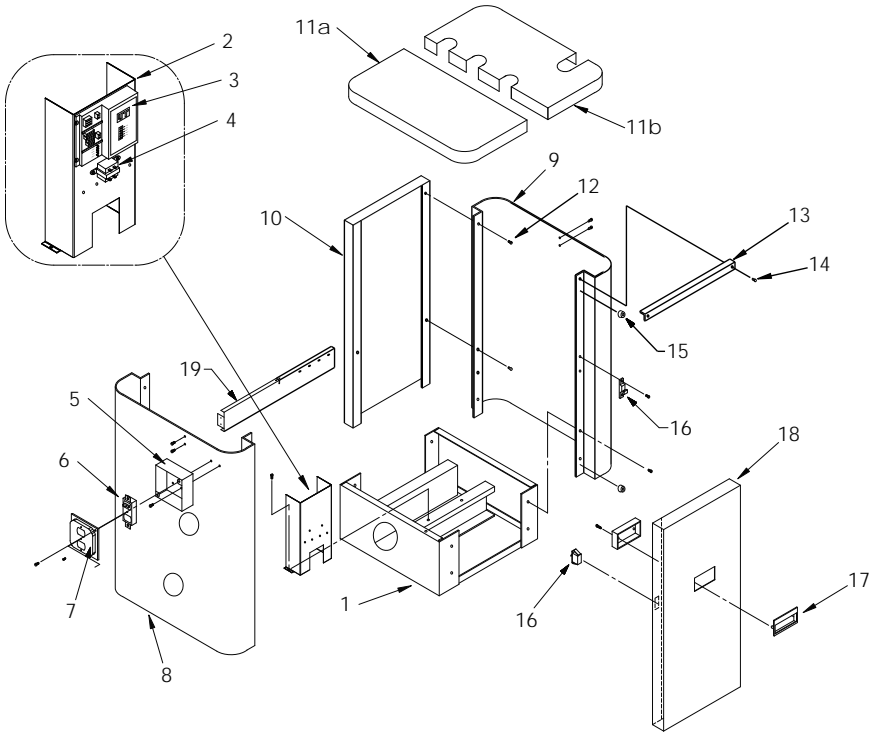
BOILER BLOCK AND PIPING ASSEMBLY



BOILER BLOCK AND PIPING ASSEMBLY

ITEM	PART NO.	DESCRIPTION	QTY.
	2272160	Block Replacement Kit (Includes the following)	1
1	12101013	Aluminum Monoblock Machined	1
5	1310015	Pipe nipple, 1 1/2" x close black iron	1
11	14631004	Adapter, 3/4" to 1/4" press tab	1
12	14619002	Observation glass 3/4"	1
13	1230010	Barb fitting, 1/8" x 3/16"	1
16	240006952	Bushing, 3/4" x 1/2" black iron	1
17	240006959	Bushing, 1/2" x 1/4" 3000#	1
22	240006955	Bushing, 3/4" x 1/8" black iron	1
27	1500005	Casting temp safety switch	1
29	240006956	Bushing, 1" x 3/4" Black Iron	1
30	240006957	Plug, 1" cast iron	1
The following parts are not included in the block replacement kit			
2	1395002	1/4" Cast Iron Square Head Plug	1
3	14631301	Hose 3" Long x 2 ³ / ₈ " ID x 2 ³ / ₄ " OD	1
4	240006827	Vent Pipe 2" CPVC SCH-40 x 7" S636	1
5	240006951	Nipple, Black 1/2" Close	1
6	14622000	Valve BLR DR 3/4"	1
7	1510010	Reducing Tee 1/2" x 1/4" x 3/4"	1
8	1190004	1/4" Street Elbow Blk. 90°	1
9	1310002	Nipple, Std. Blk. 1/4" x 4 1/2"	1
10	1190002	Elbow 1/4" x 90°	1
14	14631324	Aquastat	1
15	14662804	Well Control 1/2"	1
18	PF06501	1/4" x 7" NPT Std. Black Pipe Nipple	1
19	1260006SP	Temp/Pressure Gauge, 2" Shank	1
20	1060002	3/4" x 1/4" Std. Black Iron Bushing	1
21	PF05901	1/4" x 1/4" x 3/4" Std. Black Tee	1
23	1580006	Air Purge Vent w/Check Valve	1
24	14622011	3/4" Relief Valve	1
25	14607002	3/4" x 6 1/2" Std. Black Nipple	1
26	14695802	Screw Soc HD Cap 8-32 x 3/16"	2
28	2272137	LWCO Replacement Kit	1
31	14631302	Clamp stainless steel #44	2

JACKET AND BASE ASSEMBLY

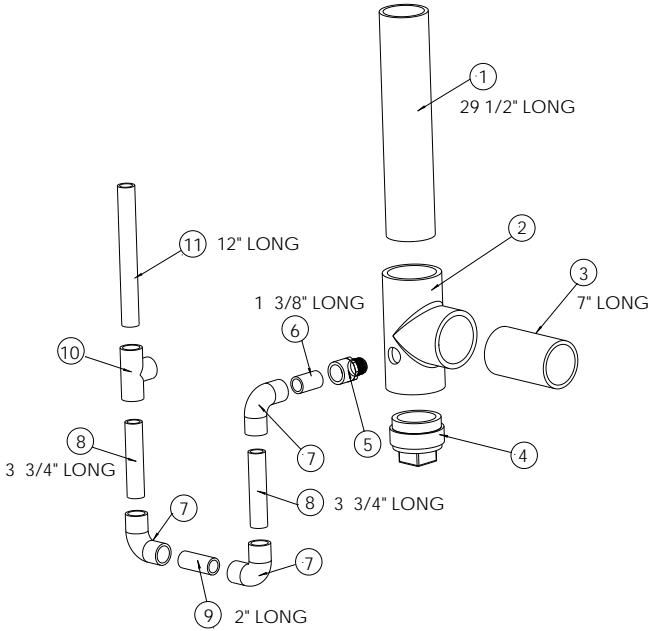


JACKET AND BASE ASSEMBLY

ITEM	PART NO.	DESCRIPTION	QTY.
1	2272144	Base Replacement Kit (125-200)	1
2	650001028	Control Panel	1
3	14662803	Control Integrated	1
4	550001339	40 VA Transformer Replacement Kit	1
5	14631316	4" x 4" x 2 1/8" J-Box	1
6	14631319	Switch, P & S	1
7	14631318	J-Box Plate Cover	1
8	2272152AC	Jacket Panel, Left Side Replacement Kit, Blue	1
	2272152AD	Jacket Panel, Left Side Replacement Kit, Gray	1
9	2272151AC	Jacket Panel, Right Side Replacement Kit, Blue	1
	2272151AD	Jacket Panel, Right Side Replacement Kit, Gray	1
10	750001031AC	Jacket Panel, Back	1
11a	2370003AC	Jacket Panel, Top Left	1
11b	2370004AC	Jacket Panel, Top Right	1
12	14695074	Screw #10 x 1/2" ZP	14
13	750001034	Jacket Tie Bar	1
14	14695060	Screw #10 x 1/2"	12
15	1225013	Tap Bumper	4
16	1225012	Latch and Clip Kit	1
17	14631095	Door Pull	1
18	2272150	Jacket Service Door Replacement Kit	1
19	2485001	Pressure Switch Mounting Plate	1
*	1263010	LWCO Harness	1
*	1263020	Wire Harness	1
*	14631174	2 1/2" Plug	1
*	2272164AC	Jacket, Complete Replacement Kit, Blue	1
*	2272164AH	Jacket, Complete Replacement Kit, Blue and Gray	1

* Not Shown

EXHAUST TEE AND CONDENSATE TRAP ASSEMBLY

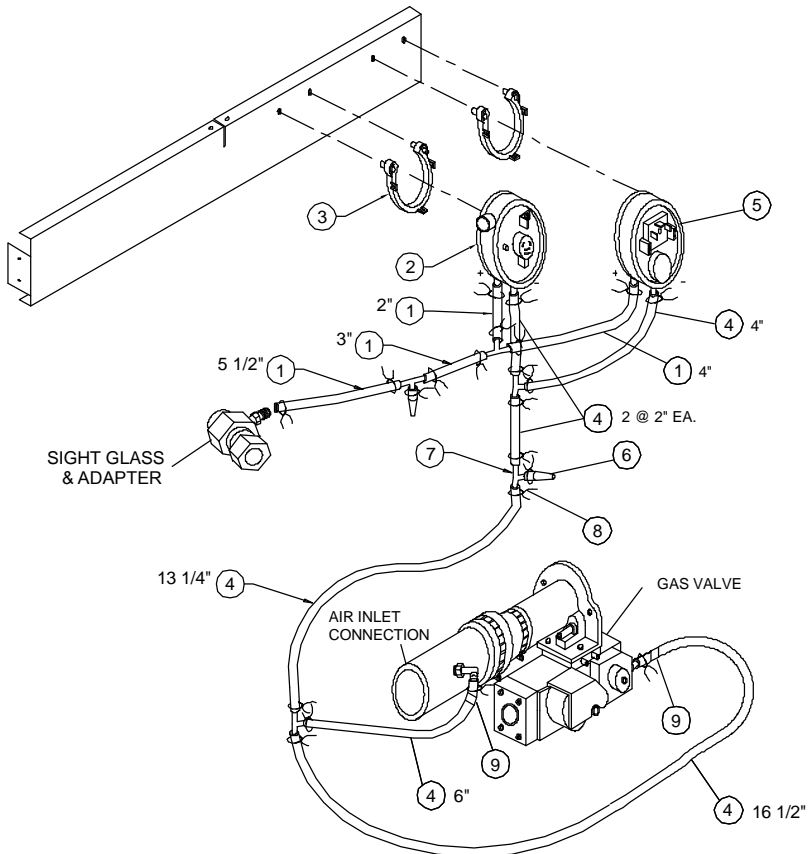


ITEM	PART NO.	DESCRIPTION	QTY.
1	240006820	Vent Pipe 2" CPVC SCH-40 x 29½" S636	2
2	3001406	Tee 2" CPVC SCH-80 S636, w/ hole	1
3	240006827	Vent Pipe 2" CPVC SCH-40 x 7" S636	1
4	240005852	Cleanout, PVC, 2"	1
*	240007536	Parts Bag, 90-200 Condensate (contains items 5-11)	
5	1001002	PVC Fitting ½" NPT Male x ½" Slip Female	1
6	240007260	Pipe ½" PVC SCH-40 x 1⅜"	1
7	1190005	Elbow ½" x 90° PVC SCH-40	3
8	240007262	Pipe ½" PVC SCH-40 x ¾"	2
9	240007261	Pipe ½" PVC SCH-40 x 2"	1
10	1510012	Tee ½" x ½" x ½" PVC SCH-40	1
11	240007263	Pipe ½" PVC SCH-40 x 12"	1
*	240007554	3" Concentric Vent Kit ULC S636	1
*	240006822	Coupling, 2" CPVC	1

550001925 condensate Trap / Exhaust Tee Kit (contains items 2 thru 11 as well as parts for connecting to existing vent and condensate lines.)

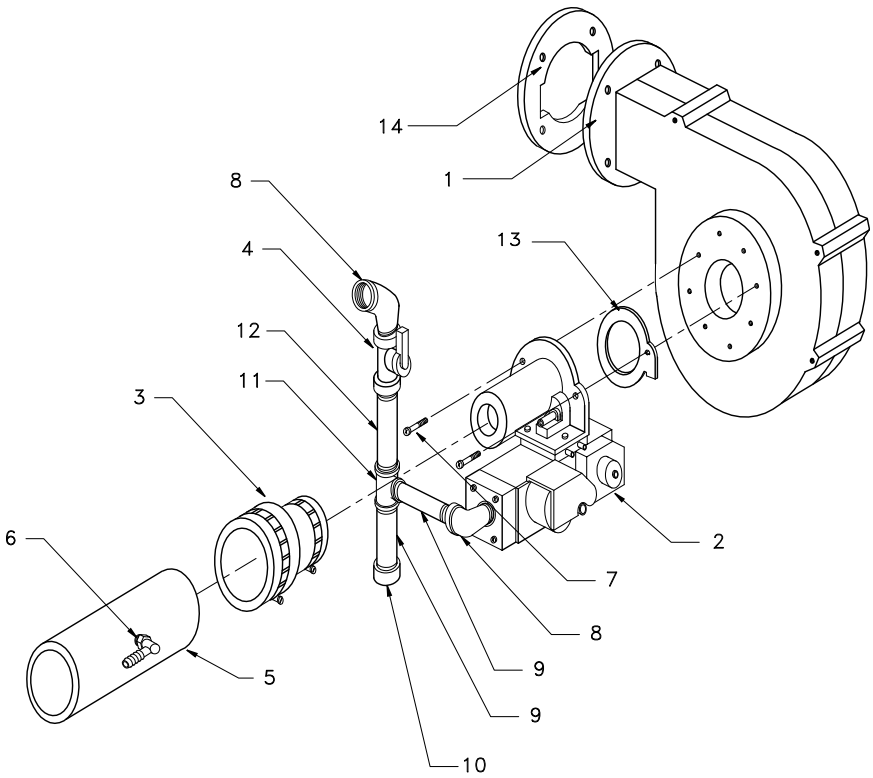
** Not Shown*

MIXER AND AIR PRESSURE SWITCH ASSEMBLY



ITEM	PART NO.	DESCRIPTION	QTY.
1	1552014	Silicone Tubing, $\frac{3}{16}$ " I.D.	Varies
2	1401004	Air Pressure Switch, $3\frac{1}{2}$ " W.C.	1
3	1401002	Air Pressure Switch Clip	2
4	1552004	Orange Silicone Tubing, $\frac{3}{16}$ " I.D.	Varies
5	1401003	Air Pressure Switch. $\frac{1}{2}$ " W.C.	1
6	1230006	$\frac{3}{16}$ " Black Vinyl Cap	2
7	1510009	Plastic Barbed Hose Tee, $\frac{3}{16}$ " I.D.	5
8	1110001	Rotor Clamp	22
9	PB-002.02	Pilot Orifice, BBR10	2

FLUE ADAPTER AND EXHAUSTER ASSEMBLY



FLUE ADAPTER AND EXHAUSTER ASSEMBLY

ITEM	PART NO.	DESCRIPTION	QTY.
1	2272145	Blower Replacement Kit (includes #13 (below))	1
2	2272140	Gas Valve Replacement Kit (125 Only)	1
	2272141	Gas Valve Replacement Kit (150 Only)	1
	2272142	Gas Valve Replacement Kit (175 Only)	1
	2272143	Gas Valve Replacement Kit (200 Only)	1
3	14631311	2" x 1½" Flex Coupling	1
4	1570038	Ball Valve ½" (Blue)	1
5	1400007	Vent Pipe 2" PVC SCH-40 (8" Long)	1
6	1230011	Fitting, PE, ⅛" NPT" x ⅜", Barb 90°	1
7	1450012	Screw T25 Torx	2
8	14693801	Elbow Street Mall ½" - 90 PWX	2
9	14607301	Nipple Blk. Std. ½" NPT x 3"	2
10	1225015	Cap ½" Cast Iron	1
11	14657015	Tee Black ½"	1
12	14607803	Nipple Blk. Std. ½" x 4½"	1
13	1250021	Gasket, Cork, Venturi	1
14	1250007	Gasket, Fan Flue Adapter	1
*	1272033	Nat to LP Replacement Kit (125 Only)	1
*	1272034	Nat to LP Replacement Kit (150 Only)	1
*	1272035	Nat to LP Replacement Kit (175 Only)	1
*	1272036	Nat to LP Replacement Kit (200 Only)	1
*	1272037	LP to Nat Replacement Kit (125-200)	1

* Not Shown