



**Models**  
**OBC3095**  
**OBC4100**  
**OBC4115**

# **OBC Series II**

## **OIL-FIRED CAST IRON BOILER**

### **Parts and Optional Accessories**

#### Ordering Instructions

Order Parts through your nearest supplier.

When ordering parts, obtain Model Number and Serial Number from data plate on your boiler.

Include following information when ordering.

Part Number \_\_\_\_\_  
Part Description \_\_\_\_\_  
Boiler Model Number \_\_\_\_\_  
Boiler Serial Number \_\_\_\_\_



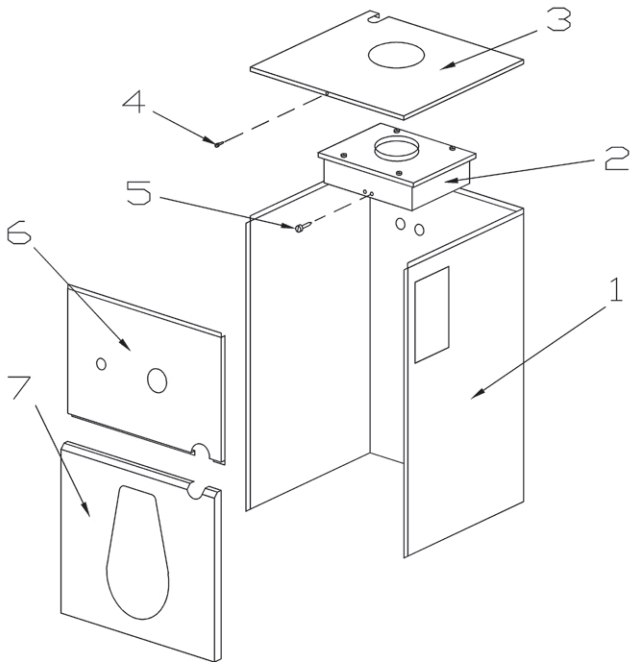
An ISO 9001-2008 Certified Company

**Manufactured by:**  
**ECR International, Inc.**  
2201 Dwyer Avenue, Utica NY 13501  
web site: [www.ecrinternational.com](http://www.ecrinternational.com)

P/N 240009515, Rev. B [12/2012]

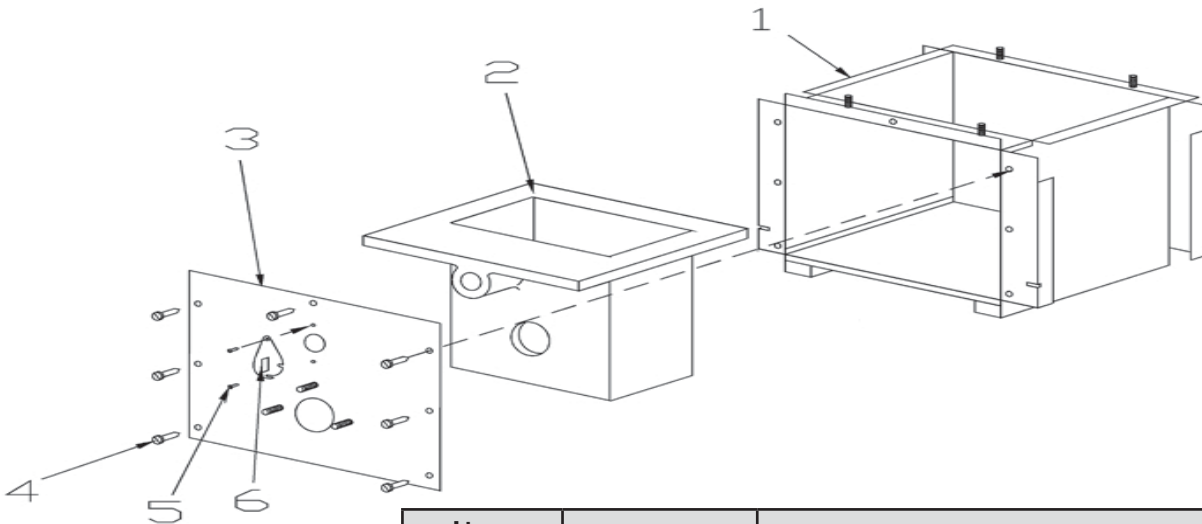
## REPLACEMENT PARTS

### JACKET AND FLUE COLLECTOR ASSEMBLY



Item Number	Part Number	Description	QTY
1	2162801	Pnl Jkt Wrapper Assy. BC3	1
	2162802	Pnl Jkt Wrapper Assy. BC4	1
2	2462101	Flue Collector Assy. BC3	1
	2462102	Flue Collector Assy. BC4	1
3	2162701	Pnl Jkt Top Assy. BC3	1
	2162702	Pnl Jkt Top Assy. BC4	1
4	14695074	Scr 8-18x1/2 Stl Hx Wash Hd	16
5	14695039	Scr 5/16-18x1.5 Type F SLHX	2
6	2162501	Pnl Jkt Top Frt Assy. BC	1
7	2162601	Pnl Jkt Low Frt Assy. BC	1

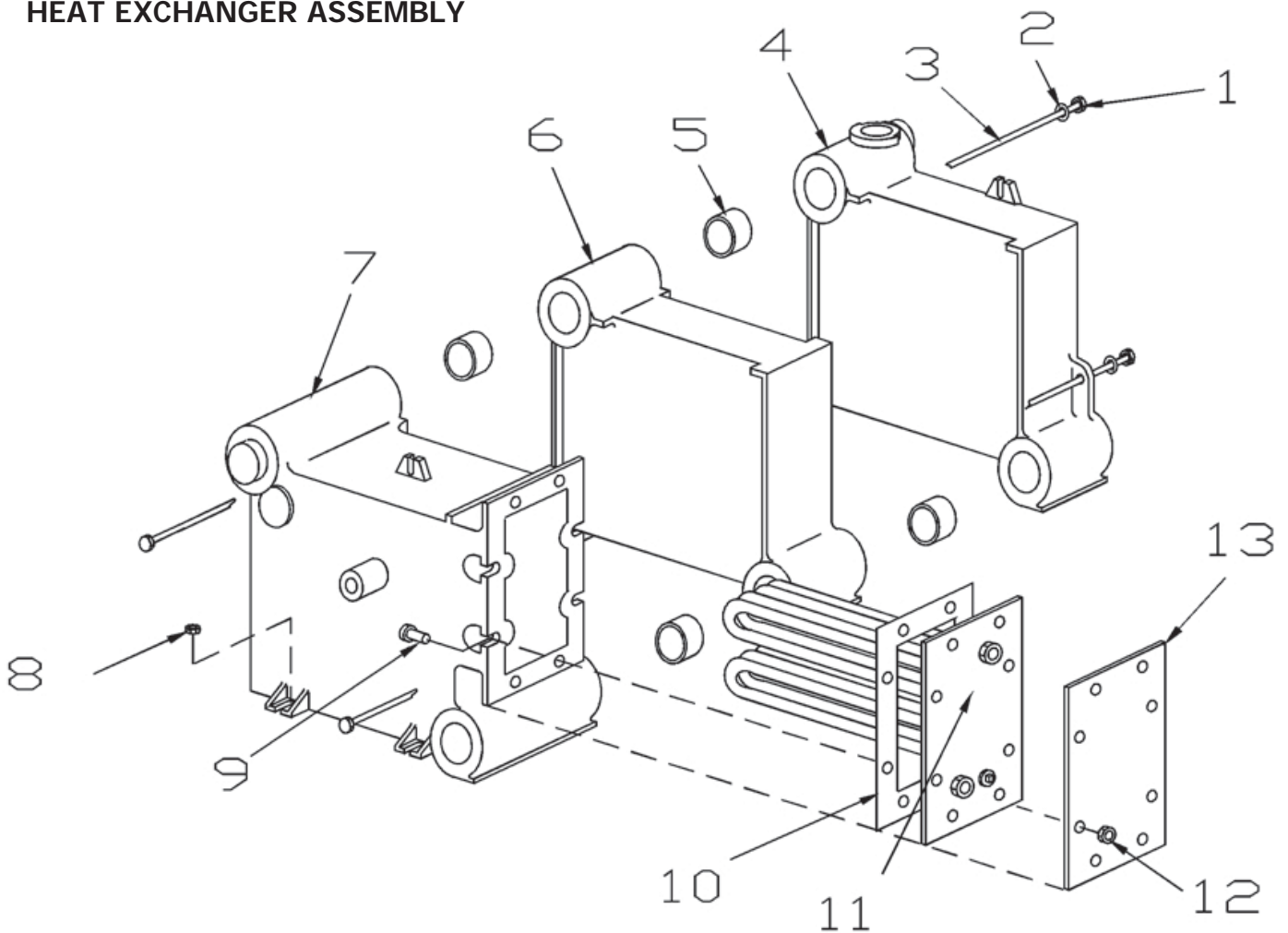
### BASE ASSEMBLY



Item Number	Part Number	Description	QTY
1	2262101	Base Assy BC3	1
	2262102	Base Assy BC4	1
2	252-2-3.01	Combustion Chamber BC3	1
	252-2-3.02	Combustion Chamber BC4	1
3	2261201	Base Burner Mtg pl Assy, BC3, 4	1
4	HW-005.01	Scr-1/4-20x1/2 Self Tap	7
5	14695039	Scr 5/16-18x1.5 Type F SLHX	2
6	10011701	Cast Iron Obsv Door	1

## REPLACEMENT PARTS

### HEAT EXCHANGER ASSEMBLY

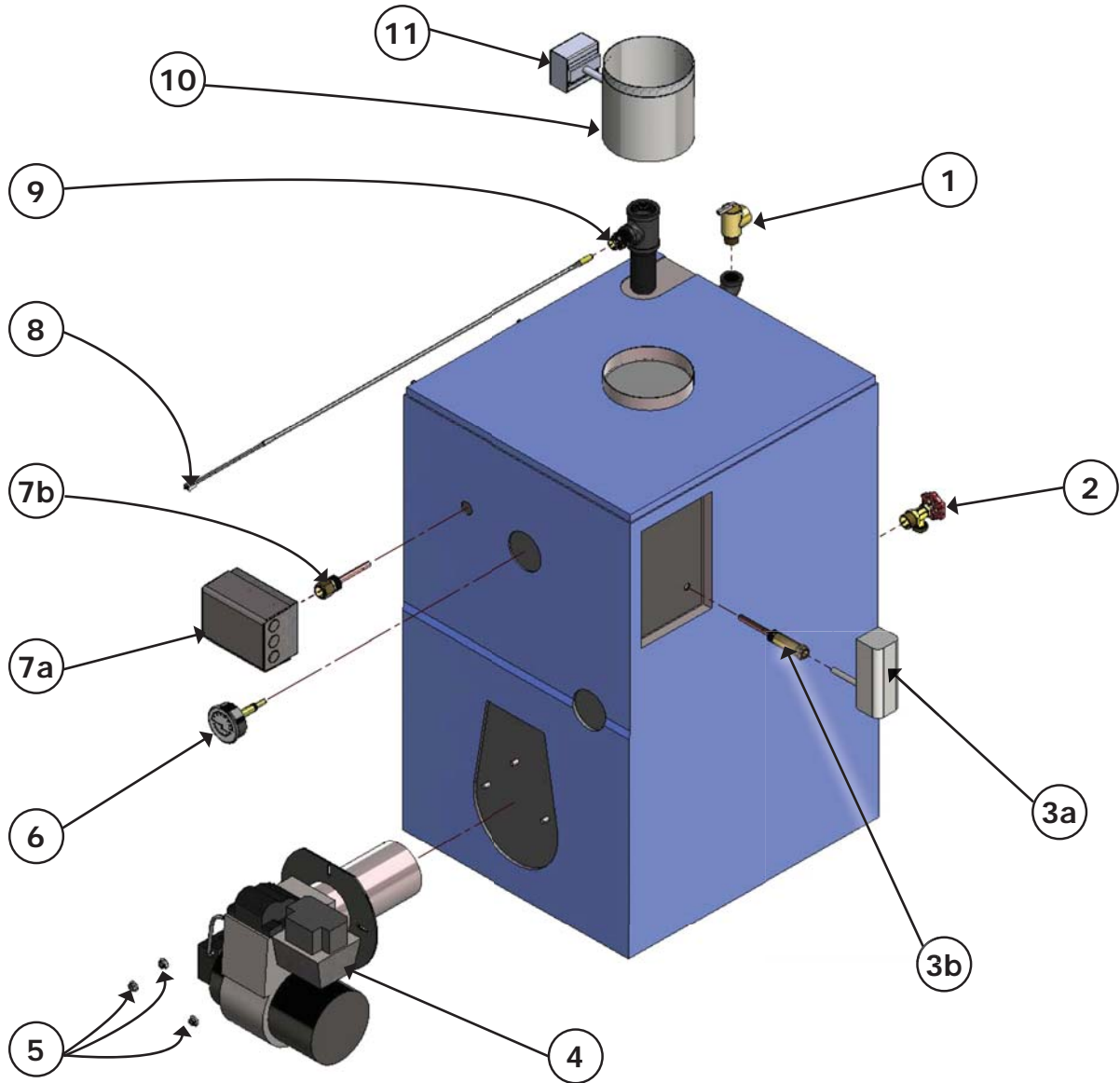


Item Number	Part Number	Description	QTY
1	HW-003.02	Nut 1/4-20 Hex Stl ZP	2
2	HW-008.01	Washer - 5/16 Flat Stl ZP	2
3	14605051	Tie Rod 1/4-20x13x3 IH WH BC3	2
	14605053	Tie Rod 1/4-20x17x3 IH WH BC4	2
4	902000001	Right Section B	1
5	43300976*	Nipple 2" Mach.	BC3(4)
			BC4(6)
6	902000002	Center Section B	BC3(1)
			BC4(2)
7	100-2-4.01	Tankless Section B	1
8	1330001	Nut 5/16-18 Wislock	4
9	HW-012.02	Bolt 7/16-14x1-1/2 Sq Hd	8
10	252-2-2.00	Gasket Tankless	1
11	252-3-1.02	Tankless Coil L-24	1
12	HW-013.01	Nut 7/16-14 Sq Stl	8
13	202-2-1.00	Cover plate B/SF S Tankless	1

\* Four (4) nipples required for center section replacement

## REPLACEMENT PARTS

### BURNER, CONTROLS AND MISC. PARTS



Item Number	Part Number	Description	QTY
1	VR-001.01	Safety Relief Valve, Combraco 10-407-05	1
2	240009323	Drain Valve	1
3a	AQ-08.00	Low Limit, Honeywell L4006A	1
3b	AQ-020.01	Well, Honeywell 123871A	1
4	240009509	Oil Burner, Beckett AFG	1
5	1330001	Nut-5/16-18 Wizlock	3
6	1260006	Temperature-Pressure Gauge	1
7a	240009128	Limit, Honeywell L7248L	1
7b	1635001	Well, Honeywell 123870A	1
8	240007732	Sensor L7224/7248 Honeywell	1
9	240009283	Well, 3/4 x 1/2, Hydrolevel 48-205	1
10	30656	Flue Connector	1
11	30660	Vent Switch	1